



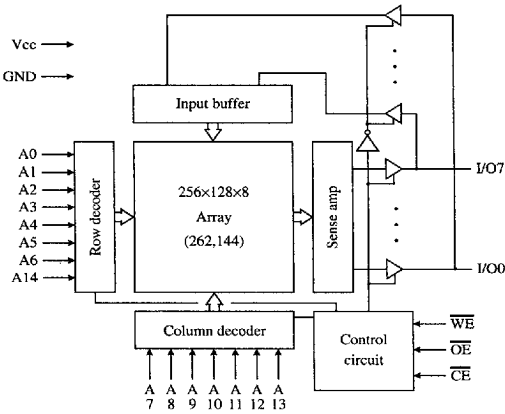
Low voltage 32K×8 CMOS SRAM

Features

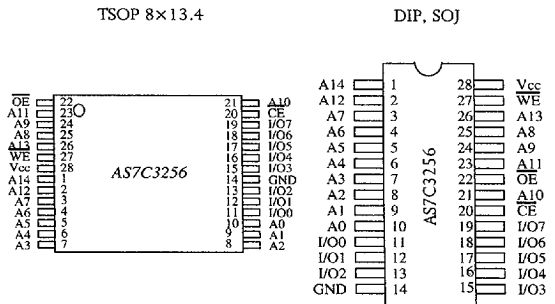
- Organization: 32,768 words × 8 bits
- Single 3.3 ± 0.3V power supply
- 5V tolerant I/O specification
- High speed
 - 10/12/15/20 ns address access time
 - 3/3/4/5 ns output enable access time
- Very low power consumption
 - Active: 216 mW max, 10 ns cycle
 - Standby: 3.6 mW max, CMOS I/O
1.1 mW max, CMOS I/O, L version
- 2.0V data retention
- Equal access and cycle times
- Easy memory expansion with \overline{CE} and \overline{OE} inputs
- TTL-compatible, three-state I/O
- Ideal for cache, modem, portable computing
 - 75% power reduction during CPU idle mode
- 28-pin JEDEC standard packages
 - 300 mil PDIP and SOJ
 - 8 × 13.4 TSOP
- ESD protection ≥ 2000 volts
- Latch-up current ≥ 200 mA

SRAM

Logic block diagram



Pin arrangement



Selection guide

| | 7C3256-10 | 7C3256-12 | 7C3256-15 | 7C3256-20 | Unit |
|-----------------------------------|-----------|-----------|-----------|-----------|------|
| Maximum address access time | 10 | 12 | 15 | 20 | ns |
| Maximum output enable access time | 3 | 3 | 4 | 5 | ns |
| Maximum operating current | 60 | 55 | 50 | 45 | mA |
| Maximum CMOS standby current | 1.0 | 1.0 | 1.0 | 1.0 | mA |
| | L 0.3 | 0.3 | 0.3 | 0.3 | mA |

Shaded areas contain advance information.



Functional description

The AS7C3256 is a 3.3V high performance CMOS 262,144-bit Static Random-Access Memory (SRAM) organized as 32,768 words × 8 bits. It is designed for memory applications requiring fast data access at low voltage, including Pentium™, PowerPC™, and portable computing. Alliance's advanced circuit design and process techniques permit 3.3V operation without sacrificing performance or operating margins.

The device enters standby mode when \overline{CE} is HIGH. CMOS standby mode consumes ≤3.6 mW (≤1.1 mW for the L version). Normal operation offers 75% power reduction after initial access, resulting in significant power savings during CPU idle, suspend, and stretch mode. Both versions of the AS7C3256 offer 2.0V data retention.

Equal address access and cycle times (t_{AA} , t_{RC} , t_{WC}) of 10/12/15/20 ns with output enable access times (t_{OE}) of 3/3/4/5 ns are ideal for high performance applications. The chip enable (\overline{CE}) input permits easy memory expansion with multiple-bank memory organizations.

A write cycle is accomplished by asserting chip enable (\overline{CE}) and write enable (\overline{WE}) LOW. Data on the input pins I/O0-I/O7 is written on the rising edge of \overline{WE} (write cycle 1) or \overline{CE} (write cycle 2). To avoid bus contention, external devices should drive I/O pins only after outputs have been disabled with output enable (\overline{OE}) or write enable (\overline{WE}).

A read cycle is accomplished by asserting chip enable (\overline{CE}) and output enable (\overline{OE}) LOW, with write enable (\overline{WE}) HIGH. The chip drives I/O pins with the data word referenced by the input address. When chip enable or output enable is HIGH, or write enable is LOW, output drivers stay in high-impedance mode.

All chip inputs and outputs are TTL-compatible and 5V tolerant. Operation is from a single 3.3±0.3V supply. The AS7C3256 is packaged in high volume industry standard packages.

Absolute maximum ratings

| Parameter | Symbol | Min | Max | Unit |
|--------------------------------------|------------|------|------|------|
| Power supply voltage relative to GND | V_{CC} | -0.5 | +4.6 | V |
| Input voltage relative to GND | V_{IN} | -0.5 | +6.0 | V |
| Power dissipation | P_D | - | 1.0 | W |
| Storage temperature (plastic) | T_{stg} | -55 | +150 | °C |
| Temperature under bias | T_{bias} | -10 | +85 | °C |
| DC output current | I_{out} | - | 20 | mA |

Stresses greater than those listed under Absolute Maximum Ratings may cause permanent damage to the device. This is a stress rating only and functional operation of the device at these or any other conditions outside those indicated in the operational sections of this specification is not implied. Exposure to absolute maximum rating conditions for extended periods may affect reliability.

Truth table

| \overline{CE} | \overline{WE} | \overline{OE} | Data | Mode |
|-----------------|-----------------|-----------------|-----------|----------------------------------|
| H | X | X | High Z | Standby (I_{SB} , I_{SB1}) |
| L | H | H | High Z | Output disable |
| L | H | L | D_{out} | Read |
| L | L | X | D_{in} | Write |

Key: X = Don't Care, L = LOW, H = HIGH

Recommended operating conditions

| Parameter | Symbol | Min | Typ | $(T_a = 0^\circ\text{C to } +70^\circ\text{C})$ | |
|----------------|----------|-------------------|-----|---|------|
| | | | | Max | Unit |
| Supply voltage | V_{CC} | 3.0 | 3.3 | 3.6 | V |
| | GND | 0.0 | 0.0 | 0.0 | V |
| Input voltage | V_{IH} | 2.0 | - | 5.5 | V |
| | V_{IL} | -0.5 [†] | - | 0.8 | V |

[†] V_{IL} min = -2.0V for pulse width less than $t_{RC}/2$.





DC operating characteristics ¹

(V_{CC} = 3.3±0.3V, GND = 0V, T_a = 0°C to +70°C)

| Parameter | Symbol | Test conditions | -10 | | -12 | | -15 | | -20 | | Unit |
|--------------------------------|------------------|---|-----|-----|-----|-----|-----|-----|-----|-----|------|
| | | | Min | Max | Min | Max | Min | Max | Min | Max | |
| Input leakage current | I _{LI} | V _{CC} = Max, V _{in} = GND to V _{CC} | | 1 | - | 1 | - | 1 | - | 1 | μA |
| Output leakage current | I _{LO} | $\overline{CE} = V_{IH}, V_{CC} = \text{Max}, V_{out} = \text{GND to } V_{CC}$ | | 1 | - | 1 | - | 1 | - | 1 | μA |
| Operating power supply current | I _{CC} | $\overline{CE} = V_{IL}, f = f_{max}, I_{out} = 0 \text{ mA}$ | | 60 | - | 55 | - | 50 | - | 45 | mA |
| | I _{SB} | $\overline{CE} = V_{IH}, f = f_{max}$ | | 25 | - | 20 | - | 20 | - | 15 | mA |
| Standby power supply current | I _{SB1} | $\overline{CE} \geq V_{CC} - 0.2V, V_{in} \leq 0.2V \text{ or } V_{in} \geq V_{CC} - 0.2V, f = 0$ | | 1.0 | - | 1.0 | - | 1.0 | - | 1.0 | mA |
| | | L | | 0.3 | - | 0.3 | - | 0.3 | - | 0.3 | mA |
| Output voltage | V _{OL} | I _{OL} = 8 mA, V _{CC} = Min | | 0.4 | - | 0.4 | - | 0.4 | - | 0.4 | V |
| | V _{OH} | I _{OH} = -4 mA, V _{CC} = Min | 2.4 | | 2.4 | - | 2.4 | - | 2.4 | - | V |

Shaded areas contain advance information.

Capacitance ²

(f = 1 MHz, T_a = Room temperature, V_{CC} = 3.3V)

| Parameter | Symbol | Signals | Test conditions | Max | Unit |
|-------------------|------------------|--|---|-----|------|
| Input capacitance | C _{IN} | A, \overline{CE} , \overline{WE} , \overline{OE} | V _{in} = 0V | 5 | pF |
| I/O capacitance | C _{I/O} | I/O | V _{in} = V _{out} = 0V | 7 | pF |

SRAM



Key to switching waveforms

Rising input

Falling input

Undefined output/don't care

Read cycle ^{3,9}

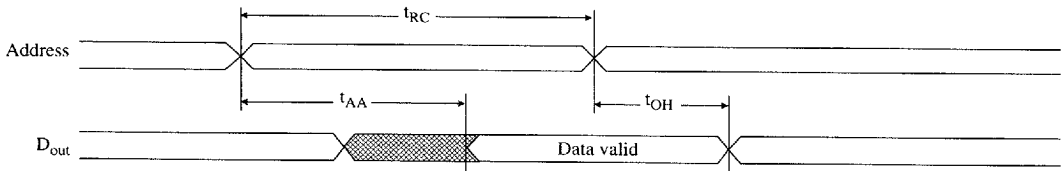
($V_{CC} = 3.3 \pm 0.3V$, $GND = 0V$, $T_a = 0^\circ C$ to $+70^\circ C$)

| Parameter | Symbol | -10 | | -12 | | -15 | | -20 | | Unit | Notes |
|---|-----------|-----|-----|-----|-----|-----|-----|-----|-----|------|-------|
| | | Min | Max | Min | Max | Min | Max | Min | Max | | |
| Read cycle time | t_{RC} | 10 | — | 12 | — | 15 | — | 20 | — | ns | |
| Address access time | t_{AA} | — | 10 | — | 12 | — | 15 | — | 20 | ns | 3 |
| Chip enable (\overline{CE}) access time | t_{ACE} | — | 10 | — | 12 | — | 15 | — | 20 | ns | 3 |
| Output enable (\overline{OE}) access time | t_{OE} | — | 5 | — | 3 | — | 4 | — | 5 | ns | |
| Output hold from address change | t_{OH} | 3 | — | 3 | — | 3 | — | 3 | — | ns | 5 |
| \overline{CE} LOW to output in Low Z | t_{CLZ} | 3 | — | 3 | — | 3 | — | 3 | — | ns | 4, 5 |
| \overline{CE} HIGH to output in High Z | t_{CHZ} | — | 3 | — | 3 | — | 4 | — | 5 | ns | 4, 5 |
| \overline{OE} LOW to output in Low Z | t_{OLZ} | 0 | — | 0 | — | 0 | — | 0 | — | ns | 4, 5 |
| \overline{OE} HIGH to output in High Z | t_{OHZ} | — | 3 | — | 3 | — | 4 | — | 5 | ns | 4, 5 |
| Power up time | t_{PU} | 0 | — | 0 | — | 0 | — | 0 | — | ns | 4, 5 |
| Power down time | t_{PD} | — | 10 | — | 12 | — | 15 | — | 20 | ns | 4, 5 |

Shaded areas contain advance information.

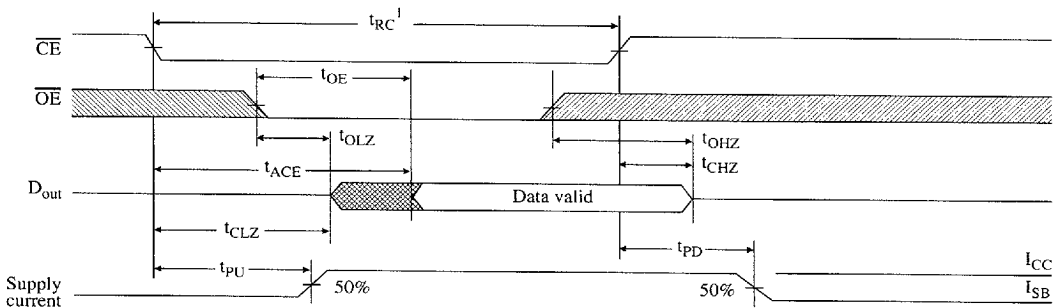
Read waveform 1 ^{3,6,7,9}

Address controlled



Read waveform 2 ^{3,6,8,9}

\overline{CE} controlled





Write cycle ¹¹

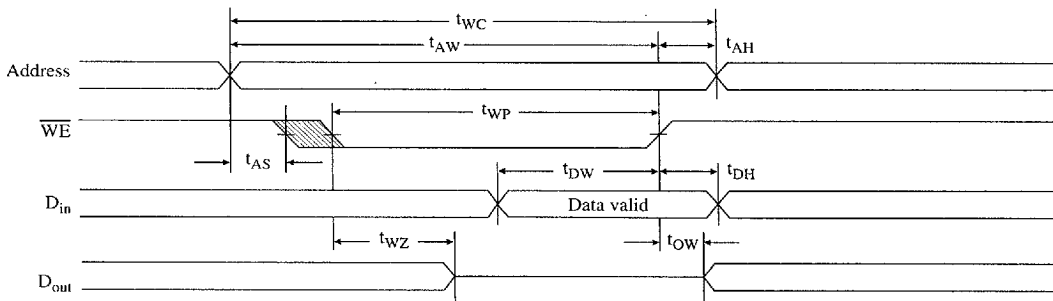
(V_{CC} = 3.3±0.3V, GND = 0V, T_a = 0 to +70°C)

| Parameter | Symbol | -10 | | -12 | | -15 | | -20 | | Unit | Notes |
|----------------------------------|-----------------|-----|-----|-----|-----|-----|-----|-----|-----|------|-------|
| | | Min | Max | Min | Max | Min | Max | Min | Max | | |
| Write cycle time | t _{WC} | 10 | | 12 | - | 15 | - | 20 | - | ns | |
| Chip enable to write end | t _{CW} | 9 | | 10 | - | 12 | - | 12 | - | ns | |
| Address setup to write end | t _{AW} | 9 | | 10 | - | 12 | - | 12 | - | ns | |
| Address setup time | t _{AS} | 0 | | 0 | - | 0 | - | 0 | - | ns | |
| Write pulse width | t _{WP} | 7 | | 8 | - | 9 | - | 12 | - | ns | |
| Address hold from end of write | t _{AH} | 0 | | 0 | - | 0 | - | 0 | - | ns | |
| Data valid to write end | t _{DW} | 6 | | 6 | - | 8 | - | 10 | - | ns | |
| Data hold time | t _{DH} | 0 | | 0 | - | 0 | - | 0 | - | ns | 4, 5 |
| Write enable to output in High Z | t _{WZ} | - | 5 | - | 5 | - | 5 | - | 5 | ns | 4, 5 |
| Output active from write end | t _{OW} | 3 | | 3 | - | 3 | - | 3 | - | ns | 4, 5 |

Shaded areas contain advance information.

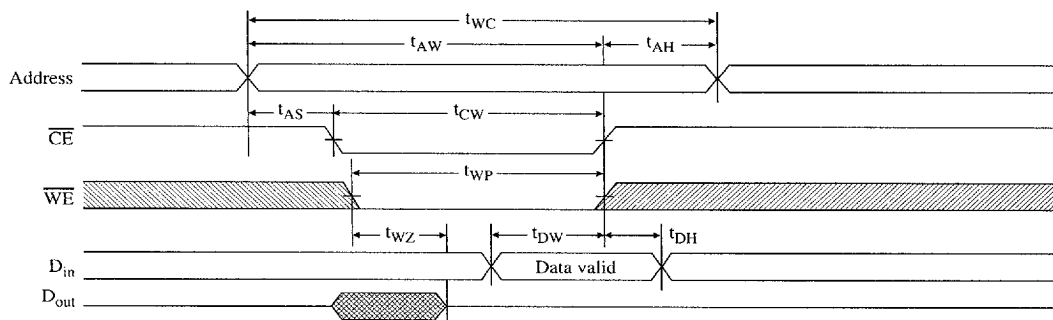
Write waveform 1 ^{10,11}

\overline{WE} controlled



Write waveform 2 ^{10,11}

\overline{CE} controlled



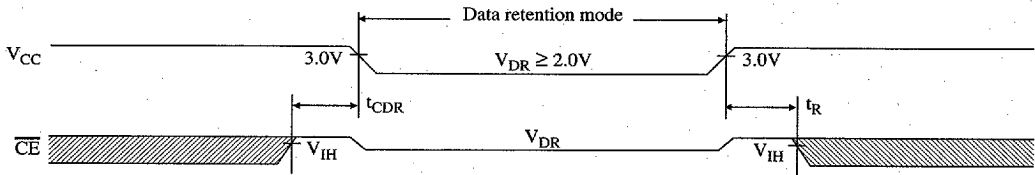
SRAM



Data retention characteristics

| Parameter | Symbol | Test conditions | Min | Max | Unit |
|------------------------------------|------------|------------------------------------|----------|---------|---------|
| V_{CC} for data retention | V_{DR} | $V_{CC} = 2.0V$ | 2.0 | — | V |
| Data retention current | I_{CCDR} | $\overline{CE} \geq V_{CC} - 0.2V$ | — | 500 | μA |
| | | | — | 150 (L) | μA |
| Chip enable to data retention time | t_{CDR} | $V_{in} \geq V_{CC} - 0.2V$ | 0 | — | ns |
| Operation recovery time | t_R | or $V_{in} \leq 0.2V$ | t_{RC} | — | ns |
| Input leakage current | $ I_{II} $ | | — | 1 | μA |

Data retention waveform



AC test conditions

- Output load: see Figure B, except for t_{CLZ} and t_{CHZ} see Figure C.
- Input pulse level: GND to 3.0V. See Figure A.
- Input rise and fall times: 5 ns. See Figure A.
- Input and output timing reference levels: 1.5V.

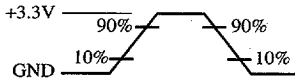


Figure A: Input waveform

Thevenin equivalent

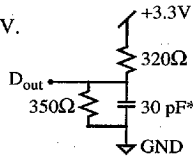


Figure B: Output load

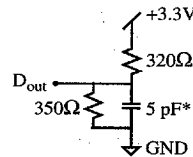


Figure C: Output load for t_{CLZ} , t_{CHZ}

*including scope and jig capacitance

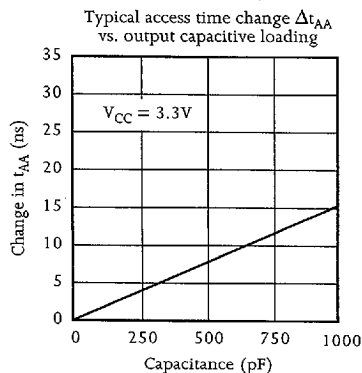
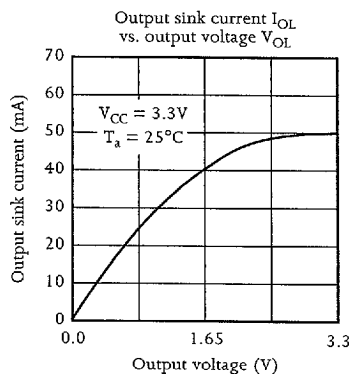
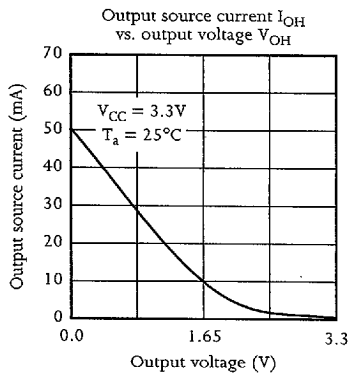
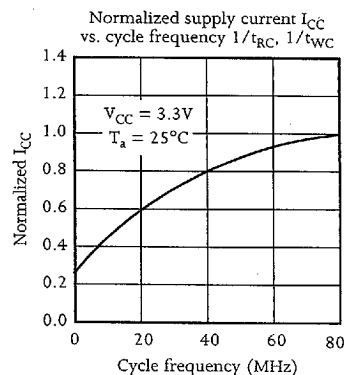
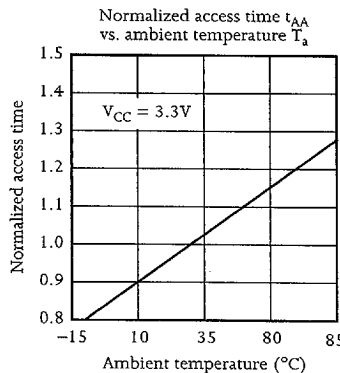
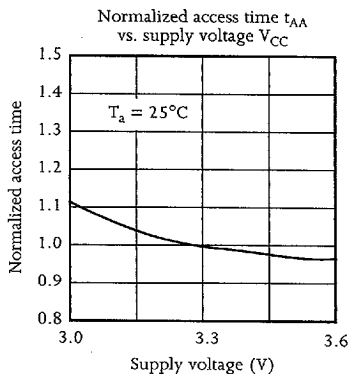
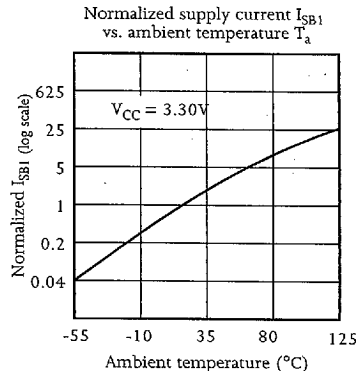
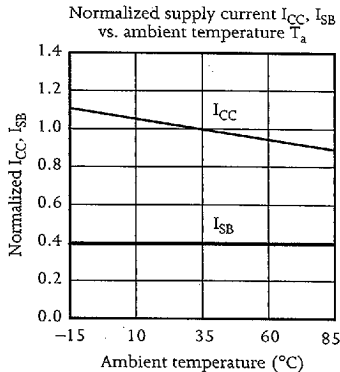
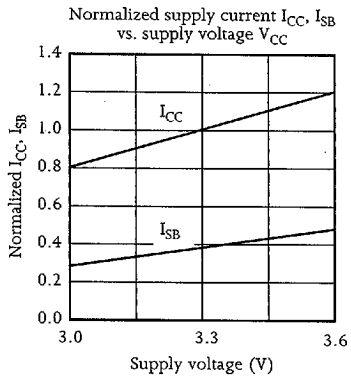
Notes

- 1 During V_{CC} power-up, a pull-up resistor to V_{CC} on \overline{CE} is required to meet I_{SB} specification.
- 2 This parameter is sampled and not 100% tested.
- 3 For test conditions, see AC Test Conditions, Figures A, B, C.
- 4 t_{CLZ} and t_{CHZ} are specified with $CL = 5pF$ as in Figure C. Transition is measured $\pm 50mV$ from steady-state voltage.
- 5 This parameter is guaranteed but not tested.
- 6 \overline{WE} is HIGH for read cycle.
- 7 \overline{CE} and \overline{OE} are LOW for read cycle.
- 8 Address valid prior to or coincident with \overline{CE} transition LOW.
- 9 All read cycle timings are referenced from the last valid address to the first transitioning address.
- 10 \overline{CE} or \overline{WE} must be HIGH during address transitions.
- 11 All write cycle timings are referenced from the last valid address to the first transitioning address.



Typical DC and AC characteristics

SRAM



9003449 0000774 829

AS7C3256
AS7C3256L



AS7C3256 ordering information

| Package / Access time | 10 ns | 12 ns | 15 ns | 20 ns |
|-----------------------|----------------|----------------|----------------|----------------|
| Plastic DIP, 300 mil | AS7C3256-10PC | AS7C3256-12PC | AS7C3256-15PC | AS7C3256-20PC |
| | AS7C3256L-10PC | AS7C3256L-12PC | AS7C3256L-15PC | AS7C3256L-20PC |
| Plastic SOJ, 300 mil | AS7C3256-10JC | AS7C3256-12JC | AS7C3256-15JC | AS7C3256-20JC |
| | AS7C3256L-10JC | AS7C3256L-12JC | AS7C3256L-15JC | AS7C3256L-20JC |
| TSOP 8x13.4 | AS7C3256-10TC | AS7C3256-12TC | AS7C3256-15TC | AS7C3256-20TC |
| | AS7C3256L-10TC | AS7C3256L-12TC | AS7C3256L-15TC | AS7C3256L-20TC |

Shaded areas contain advance information.

AS7C3256 part numbering system

| | | | | | |
|-------------|--------------------------------------|---------------|-------------|---|--|
| AS7C | 3 | 256 | -XX | X | C |
| SRAM prefix | Blank = 5V supply 3 = 3.3V supply | Device number | Access time | Package: P = PDIP 300 mil J = SOJ 300 mil T = TSOP 8x13.4 | Commercial temperature range, 0°C to 70 °C |

SRAM